

WATER CANNONS

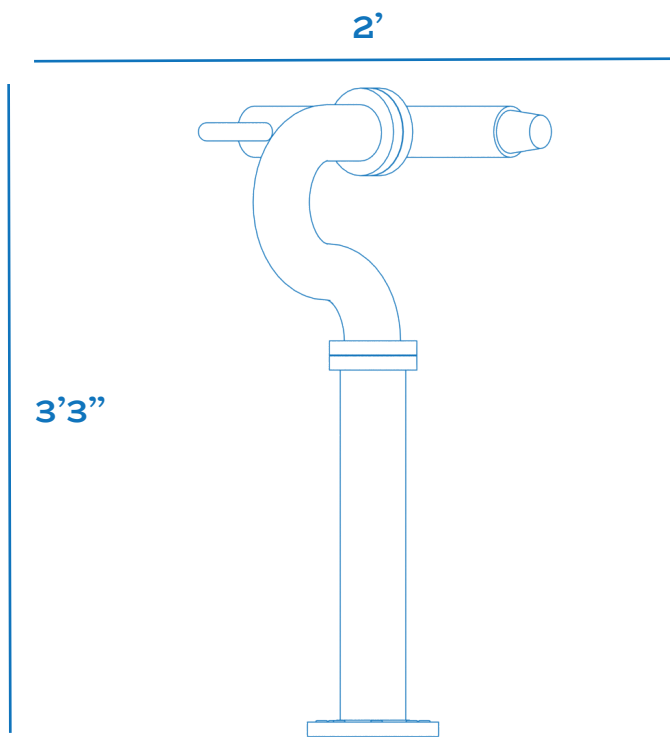
MATERIALS
STAINLESS STEEL

PAINT
HIGH GLOSS
UV TREATED

POUNDS PER SQUARE INCH
MINIMUM 5 PSI

WATER USAGE
10-20 GPM

Kids will never get enough of these awesome WATER CANNONS. With strategic placement on your custom water splash pad, kids can go to war, spray each other in the face, or keep away the bad guys. You can have a single water cannon or you can have ten of them. If you really wanted to get crazy, you could build water cannons all on the main level or you can put them on levels to get more distance out of them. Some people love the idea of having just one while others love to have many. Ready. Aim. Water down your target with this amazing water play feature. Our water cannons can be produced in many different colors like green, blue, orange, etc. While some water play features don't offer much, our specialized cannons are built on a multi axis joint allowing both the vertical and horizontal movement for a more accurate shot with this.



DIMENSIONS: 2' x 3'3"

SPLASHPADSUSA.COM

