

DUMPING BUCKETS QUAD

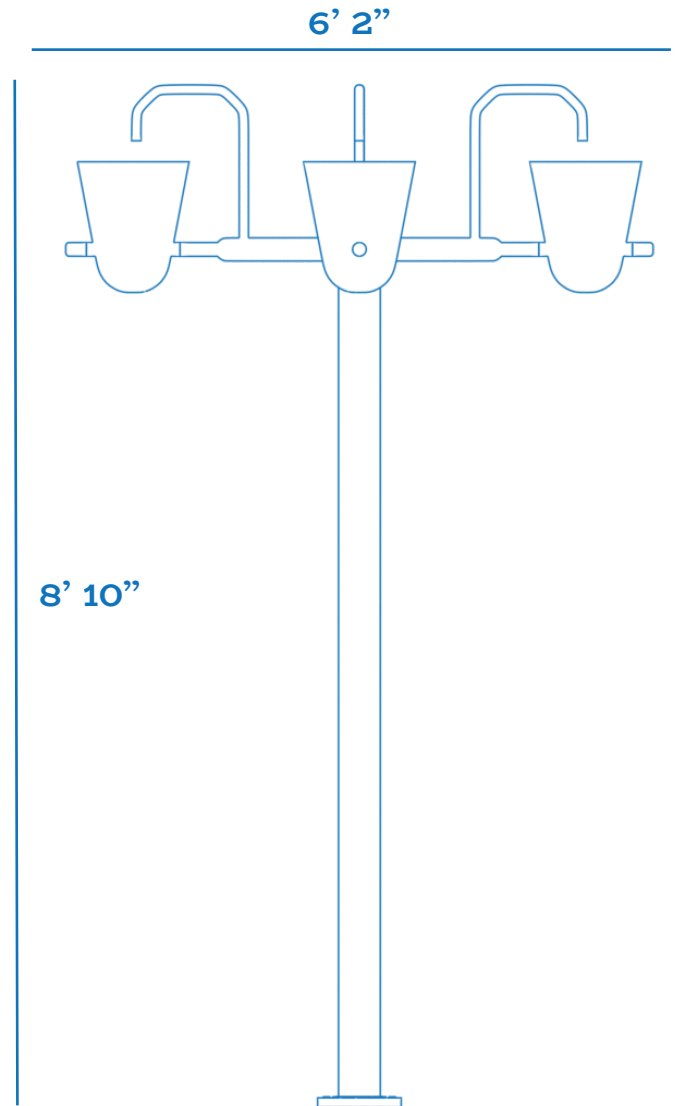
MATERIALS
STAINLESS STEEL
FIBERGLASS

PAINT
HIGH GLOSS
UV TREATED

POUNDS PER SQUARE INCH
MINIMUM 10 PSI

WATER USAGE
10-45 GPM

WATER LOOPS are amazingly awesome and we love to build them in series of twos, threes, fours or even fives. Our Water Loops are of the highest grade quality and will last you a very long time. We don't use any PVC piping because it lacks the durability and dependability for your structures and investment. Our custom design team will bring your ideas together and help them become real life. We love the incorporation of Water Loops because it leaves any kids imagination to interpretation. It could be a worm hole, a tunnel or even a portal too another play-land.



SPLASHPADSUSA.COM

